



# VG-1000-1

## LED GROW LIGHT 10 Bars

Absolute market leading, PPF 2700  $\mu\text{mol/s}$

# VG-1000-1

## LED GROW LIGHT 10 BARS

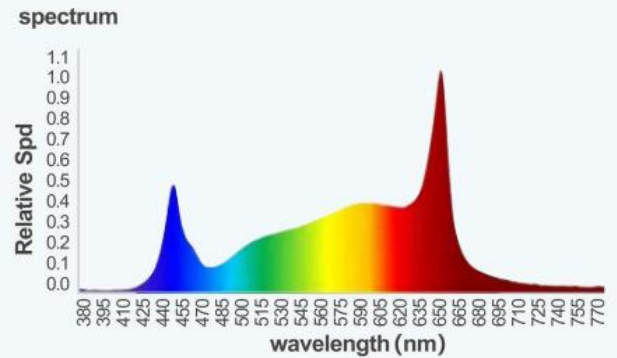
Absolute market leading, PPF 2700  $\mu\text{mol/s}$

### Description

The VG-1000-1 is a high efficiency full spectrum lighting solution for indoor cannabis cultivation with the high yields performance.

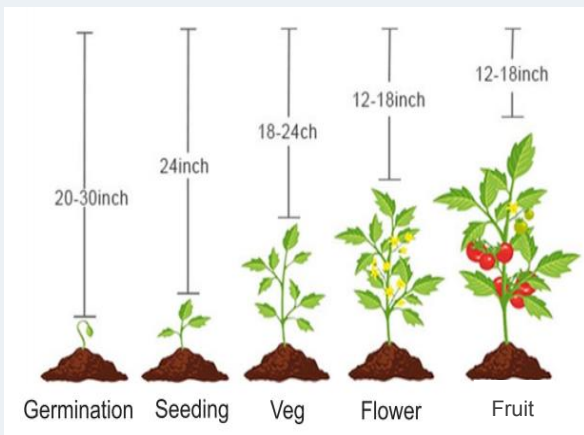


### Spectral Distribution



Model No.	VG-1000-1
Light Source	Samsung / Osram / Seoul
Spectrum	Full Spectrum
PPF	2700 $\mu\text{mol/s}$
Efficacy	2.7 $\mu\text{mol/J}$
Input Voltage	AC 100 ~ 277V
Input Current	10.0A ~3.60A
Frequency	50/60 Hz
Input Power	1000W
Fixture Dimensions	1165*1145*80 mm
Weight	N.G12.2 kg/ G.W 14.83 kg
Temperature Ambient	$\leq 95^{\circ}\text{F}/35^{\circ}\text{C}$
Mounting Height	$\geq 16"$ Above Canopy
Thermal Management	Passive
External Control signal	0-10v
Dimming Option	0%/25%/50%/75%/100%/ EXT
Light Distribution	120°
Lifetime	$\geq 50,000$ hrs
Power factor	$\geq 0.95$
Waterproof Rate	IP65
Warranty	5-years warranty

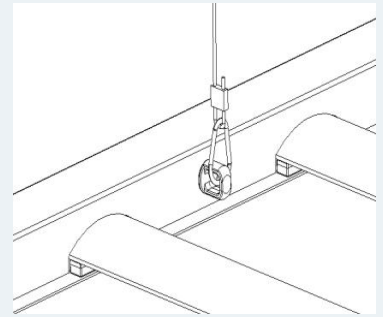
## Summary



## Assembly Instructions

1

Mounting the fixture with four lance hangers are securely snapped in the LED fixtures' s four hooks



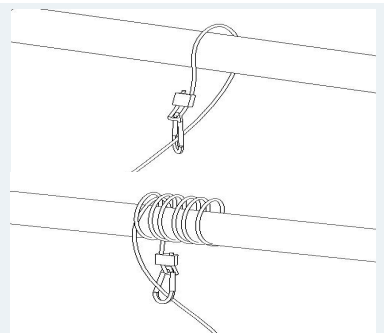
2

Use two people to lift the LED fixture to snap together or wrap the hangers to the strong enough support structures. And hang the four lance hangers to get a balanced LED fixture.



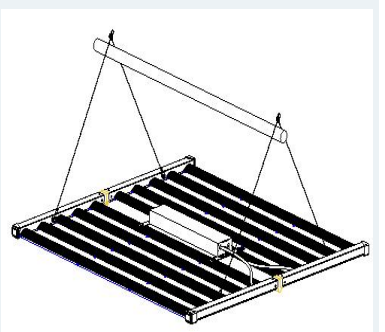
3

The steel rope can wrap more coils to adjust the LED fixture to get the proper height.



4

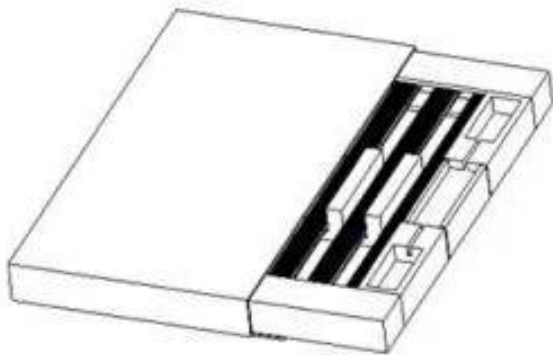
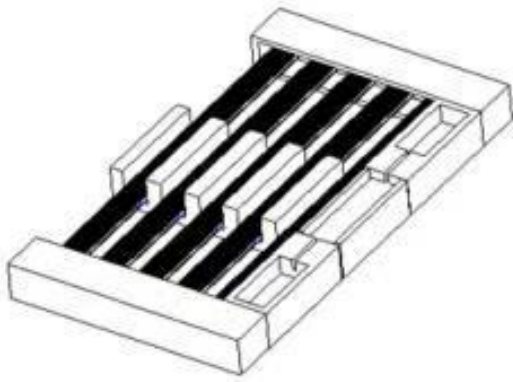
Another mounting way is shown as picture.





## Packaging Information

Carton Size	G.W/Carton	Quantity/Carton
1255*120*685 mm	14.83 kg	1 pcs



Any Questions & Any Needs, Please Contact Us



+86-755-27800561



Info@sz-vaner.com