



VA-780

780W TOPLIGHTING

Greenhouse Supplemental Lighting & Indoor High Ceiling Cultivation

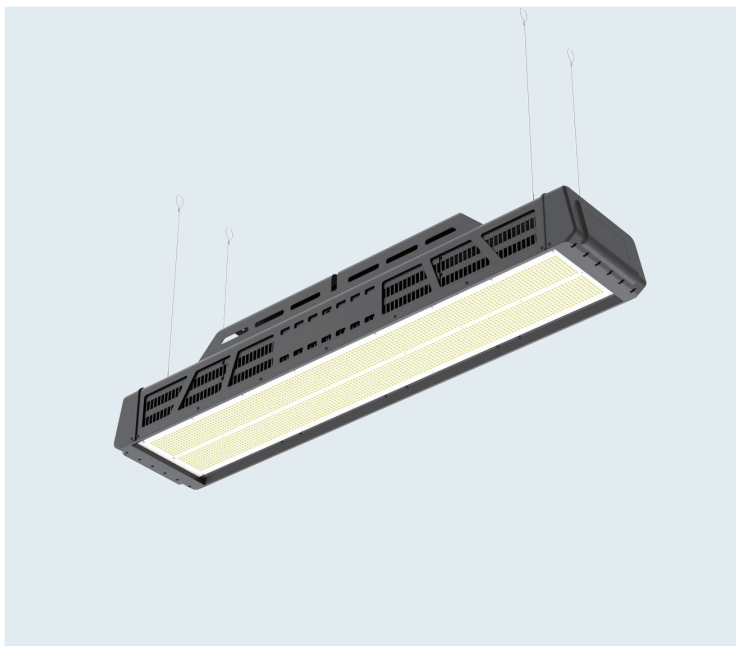
VA-780

780W TOPLIGHTING

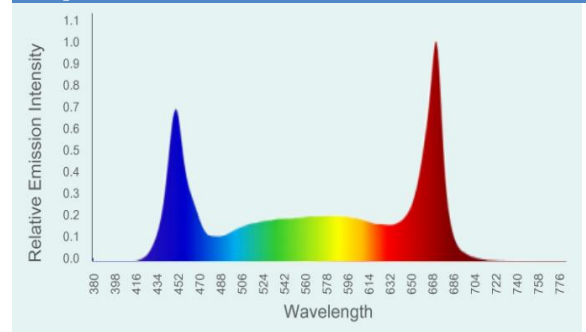
Greenhouse Supplemental Lighting & Indoor High Ceiling Cultivation

Description

The low shadow profile design of the VA-780 LED allows it to perform with a minimal shadow footprint making it the ultimate choice in greenhouses as well as advanced contiguous Light Deprivation Greenhouses.



Spectral Distribution



Model No.	VA-780
Light Source	Samsung / Osram / Seoul
Spectrum	Full Spectrum
PPF	1989 $\mu\text{mol/s}$
Efficacy	2.55 $\mu\text{mol/J}$
Input Voltage	AC 100 ~ 277V
Input Current	7.8A ~2.82A
Frequency	50/60 Hz
Input Power	780W
Fixture Dimensions	978*192*171MM
Weight	N.G 10.3kg/ G.W 10.9kg
Temperature Ambient	$\leq 95^{\circ}\text{F}/35^{\circ}\text{C}$
Mounting Height	$\geq 16''$ Above Canopy
Thermal Management	Passive
External Control signal	0-10v
Dimming Option	0%/25%/50%/75%/100%/ EXT
Light Distribution	120°
Lifetime	$\geq 50,000$ hrs
Power factor	≥ 0.95
Waterproof Rate	IP65
Warranty	5-years warranty

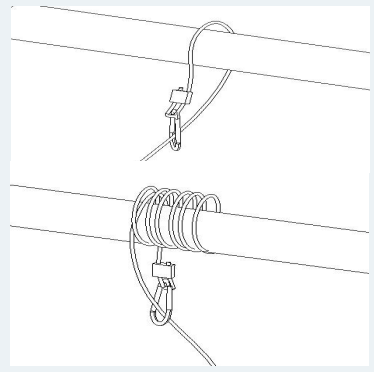
Summary



Assembly Instructions

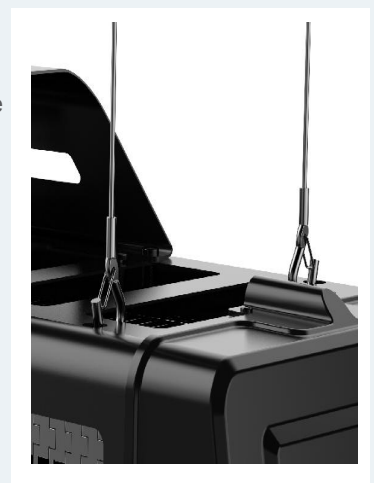
1

Mounting the fixture with four lance hangers are securely snapped in the LED fixtures' s four hooks



2

Use two people to lift the LED fixture to snap together or wrap the hangers to the strong enough support structures. And hang the four lance hangers to get a balanced LED fixture.



3

The steel rope can wrap more coils to adjust the LED fixture to get the proper height.



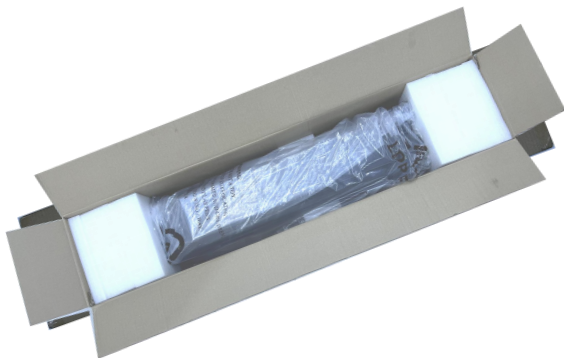
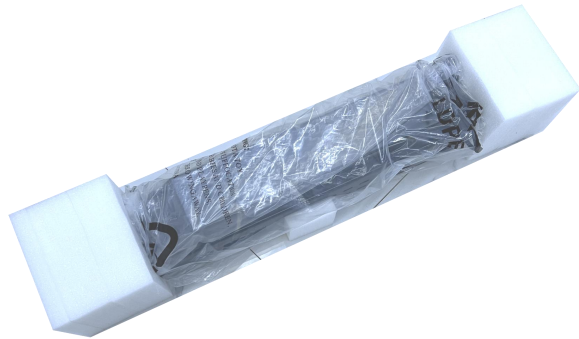
4

The product hanging diagram.



Packaging Information

Carton Size	G.W/Carton	Quantity/Carton
1050*250*220MM	11 kg	1 pcs



Any Questions & Any Needs, Please Contact Us

 +86-755-27800561

 Info@sz-vaner.com