



VR-18

NURSERY & CLONE LED GROW LIGHT BAR

For Container Farm, Hydroponic Growing, Vertical Farm, Mini Garden

VR-18

NURSERY & CLONE LED GROW LIGHT BAR

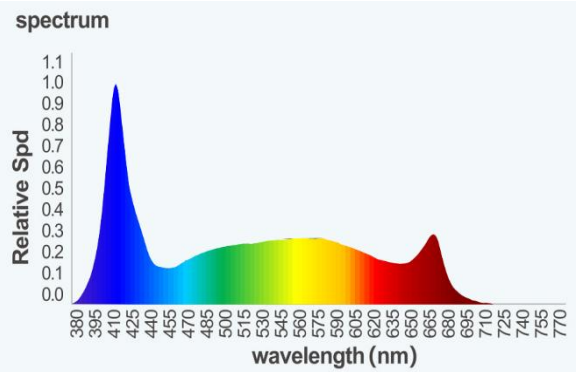
For Container Farm, Hydroponic Growing, Vertical Farm, Mini Garden

Description

The VR-18 18w Clone LED is the perfect replacement for a T5 fluorescent light fixture. The VR-18 18w Clone LED is 60% more efficient running off 18 watts, fully waterproof, and is rated for 30,000 hours.

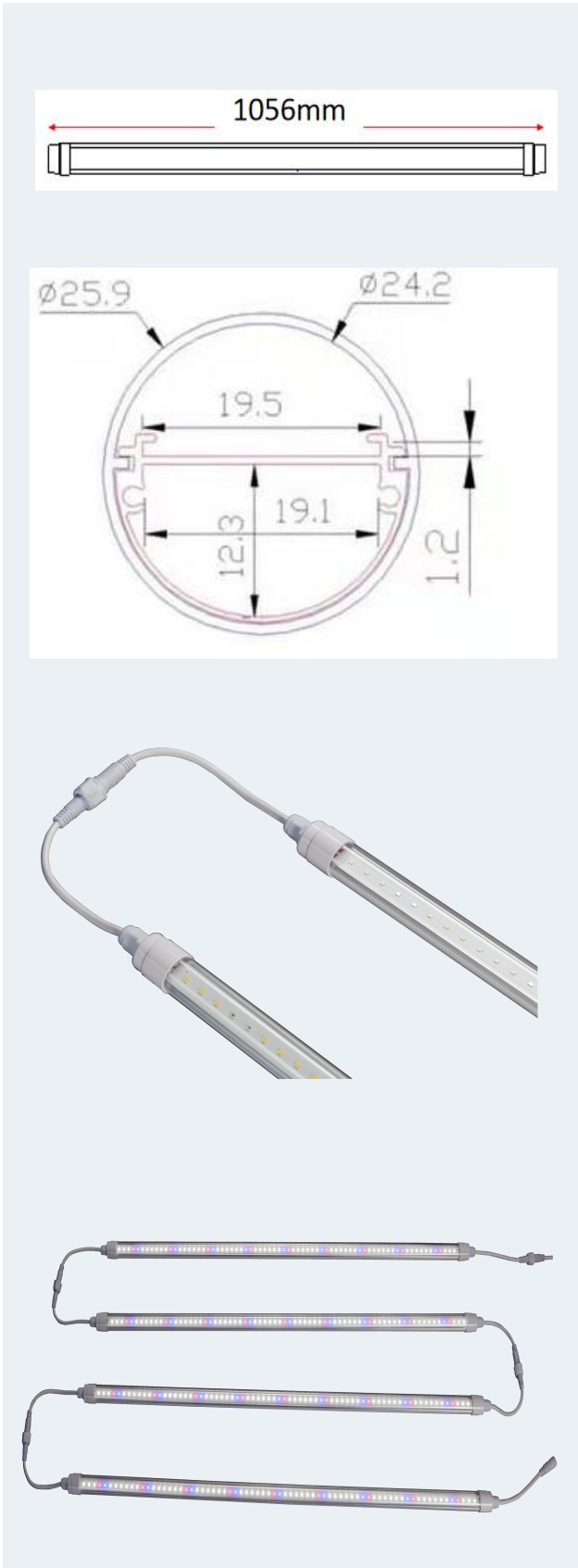


Spectral Distribution



Model No.	VR-18
Light Source	Samsung / Osram / Seoul
Spectrum	Full Spectrum for Nursery
PPF	40.5 $\mu\text{mol/s}$
Efficacy	2.25 $\mu\text{mol/J}$
Input Voltage	AC 100 ~ 277V
Input Current	0.18A ~ 0.065A
Frequency	50/60 Hz
Input Power	18 W
Fixture Dimensions	1056* Φ 25.9mm
Weight	N.G 0.7 kg
Temperature Ambient	$\leq 95^{\circ}\text{F}/35^{\circ}\text{C}$
Mounting Height	$\leq 12"$ Above Canopy
Thermal Management	Passive
External Control signal	-
Dimming Option	-
Light Distribution	120°
Lifetime	$\geq 30,000$ hrs
Power factor	≥ 0.92
Waterproof Rate	IP65
Warranty	3-years warranty

Summary



Assembly Instructions

- 1**

Fix the clip to the desired installation position, and then secure the clip with screws.
- 2**

Use two people to lift the LED fixture to snap together or wrap the hangers to the strong enough support structures. And hang the four lance hangers to get a balanced LED fixture.
- 3**

Fasten the lamp tube to the buckle of installation, each lamp tube is equipped with 2PCS buckle.
- 4**

Another hanging method: use the hooks attached with the shipment to hang.

Packaging Information



Carton Size

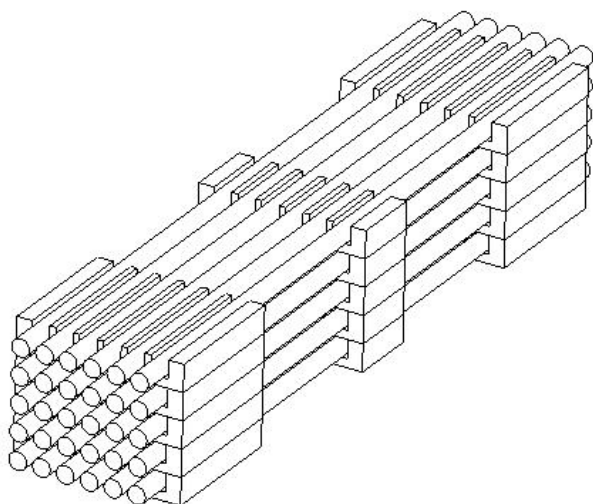
G.W/Carton

Quantity/Carton

1150*260*221mm

12.2kg

30 pcs



Any Questions & Any Needs, Please Contact Us

 +86-755-27800561

 Info@sz-vaner.com